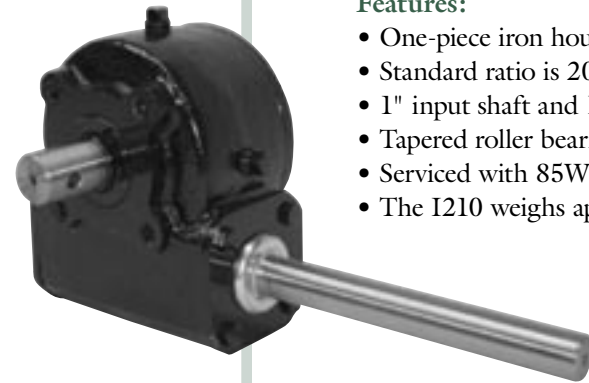




# I210 Series

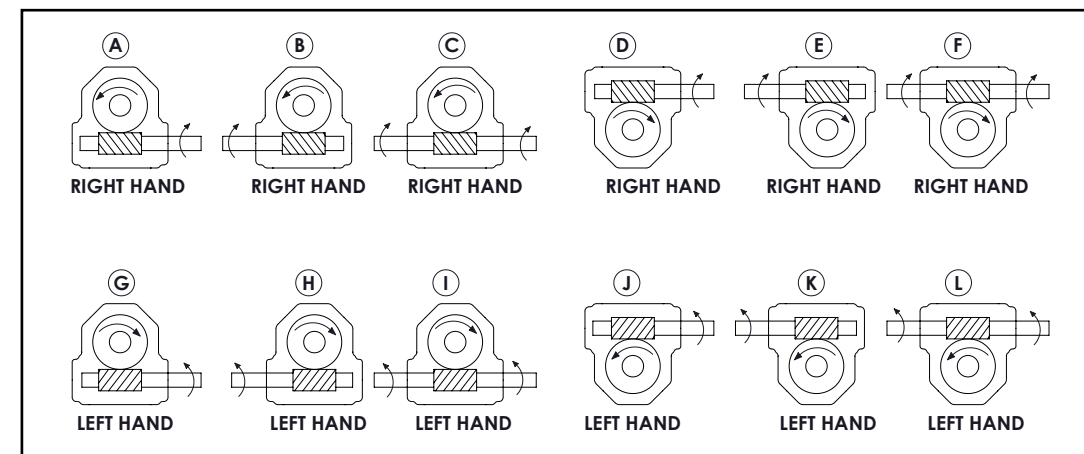
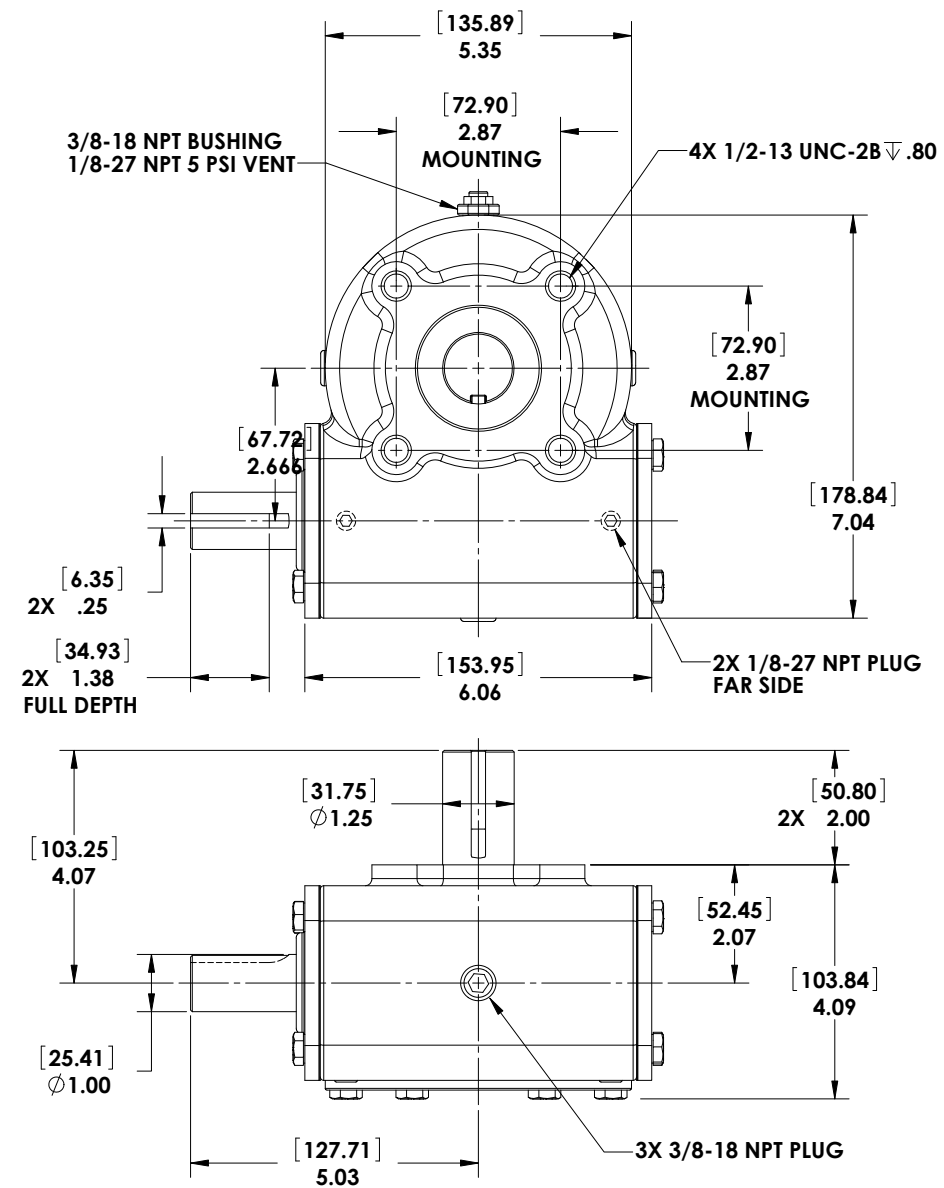


### Features:

- One-piece iron housing
- Standard ratio is 20:1—left and right hand
- 1" input shaft and 1.25" output shaft is standard
- Tapered roller bearings provide increased load capacity and bearing life
- Serviced with 85W140 gear lubricant, run and leak tested before shipment
- The I210 weighs approximately 35 lbs. including 8 oz of lubricant

Ratio	Gear Design		Input RPM			
			100	400	1200	
20:1	1 Thread Worm 20 Tooth Bronze Gear	Mech.	Input HP	0.40	1.15	1.90
			Output Torque*	2789	2360	1492
			Input kW	0.30	0.86	1.42
			Output Torque**	315	267	169
		Thermal	Input HP	NA	0.54	0.72
			Output Torque*	NA	1025	526
			Input kW	NA	0.40	0.54
			Output Torque**	NA	116	59

\*Torque measured in inch-lbs \*\*Torque measured in N-m



Contact Superior Gearbox for your special requirements.