

4

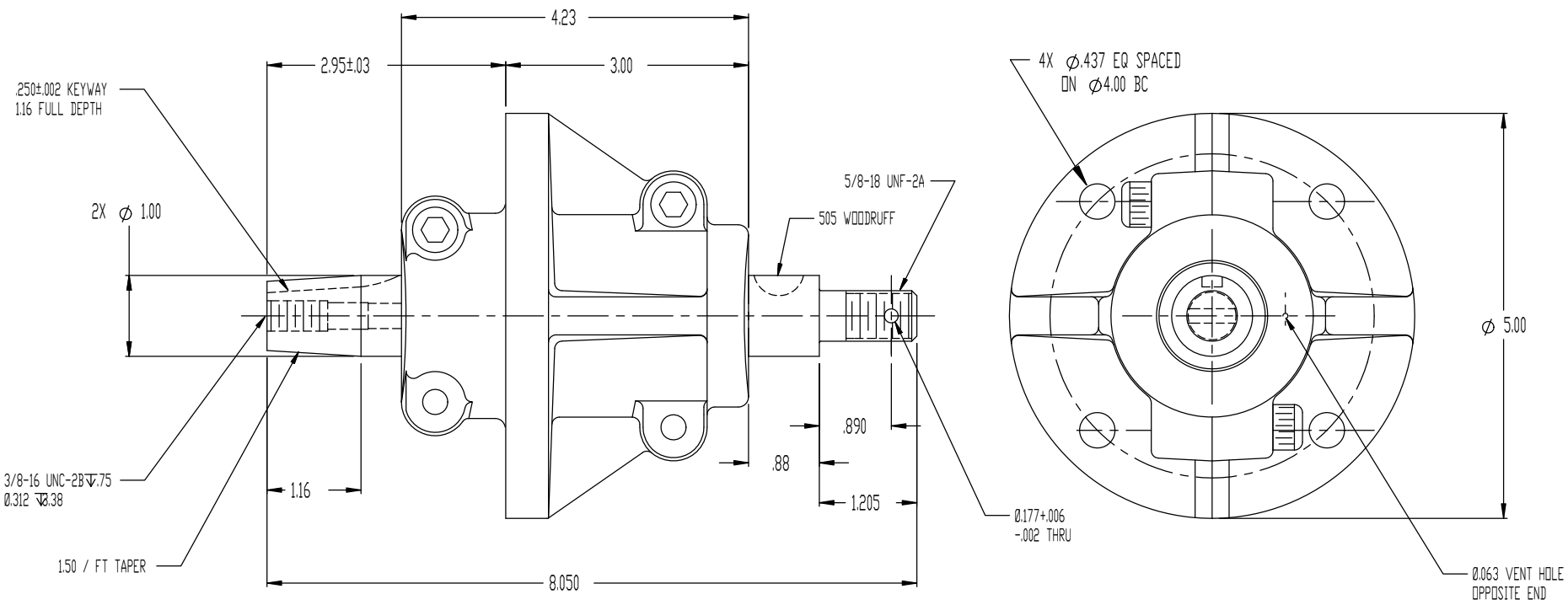
3

2

1

REV	DESCRIPTION	DFTR DATE	APPROVED
A	CORRECT PART NO.	ERC\5/27/98	FW\6/8/98

- NOTES:
 1. SPINDLE WEIGHT: 4.5 LBS.
 2. LUBRICANT: SHIPPED WITHOUT GREASE
 3. SHIP SPINDLE CUP WITH SPINDLE



THIS DRAWING CONTAINS INFORMATION THAT IS PROPRIETARY AND CONFIDENTIAL AND THE EXCLUSIVE PROPERTY OF SUPERIOR GEARBOX CO. AND MAY NOT BE REPRODUCED, USED OR DISCLOSED WITHOUT WRITTEN PERMISSION OF THE OWNER

MATERIAL	UNLESS OTHERWISE NOTED		DRFLE	DATE	SUPERIOR GEARBOX COMPANY P.O. BOX 645 STOCKTON, MD 65785
	DIMENSIONS ARE IN INCHES		G. JACKSON	01/14/97	
FINISH	ALL EXTERNAL DIMENSIONS ARE NOMINAL AND DO NOT REPRESENT TOLERANCES. FOR SPECIFIC TOLERANCES ON EXTERNAL DIMENSIONS PLEASE CONTACT YOUR SUPERIOR GEARBOX COMPANY REPRESENTATIVE.		ENGR	DATE	SPINDLE, MODEL 240AAS QT004070
	-INTERPRET DIMENSIONING AND TOLERANCING IN ACCORDANCE WITH ANSI Y14.5M-1982 -REMOVE ALL BURRS AND BREAK SHARP EDGES -MACHINED SURFACES SHALL BE 125/ -THREAD DEPTH CALLOUTS INDICATE DEPTH OF FULL THREADS -DIMENSIONAL LIMITS APPLY AFTER FINISH OR HEAT TREAT		ENGR	DATE	
			PHIL	1/27/97	SIZE
			GAYLE C.	2/4/97	C
			SCALE		NONE
			DO NOT SCALE DRAWING		SHEET 1 OF 1

4

3

2

1

240AAS-401